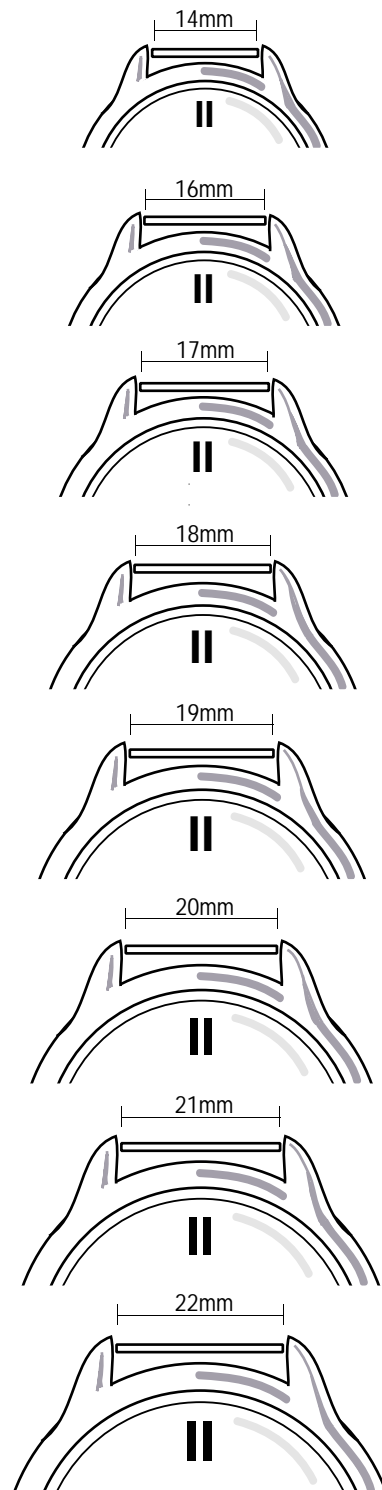


# Ladies and Men's Lug Widths and Strap Sizes



**watchnet.com**

• FINE WATCHES • SWISS MADE •